



Installation instructions for PZ4AL-02201-00

Under Run Protective Shield Engine Bay and Transmission Case

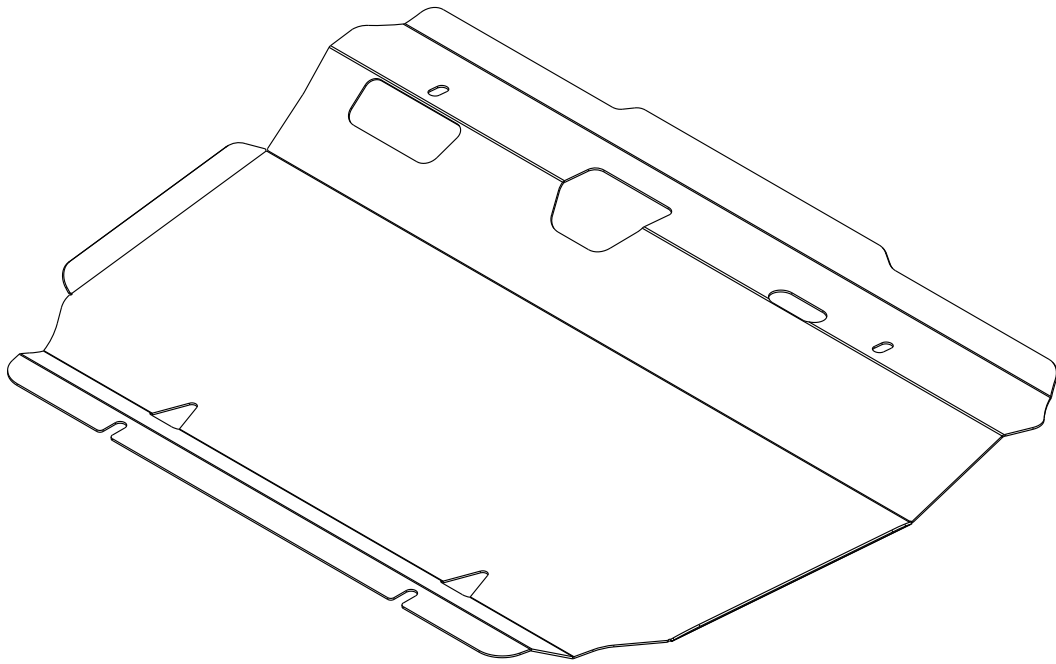
## TOYOTA ALPHARD



Model Year	2011-	2015-
Vehicle Code	GGH20L-PFTQK	GGH30L-PFTVK
Part Number		PZ4AL-02201-00
 Weight		9,35 kg
 Installation Time		30 min

PZ4AL-02201-00

**A**



PZ4AL-01093-60

**B1**



M10x20

2x

**B2**



M10x30

1x

**B3**



M10x100

1x

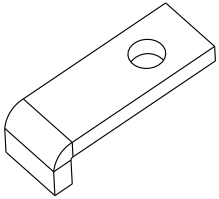
**C**



Ø10

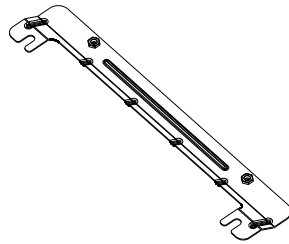
4x

**D**



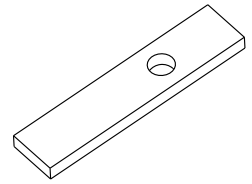
x1

**E**

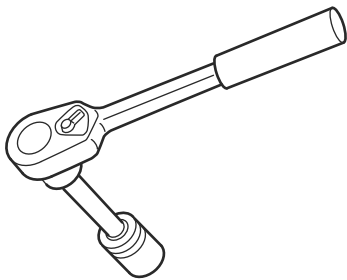


x1

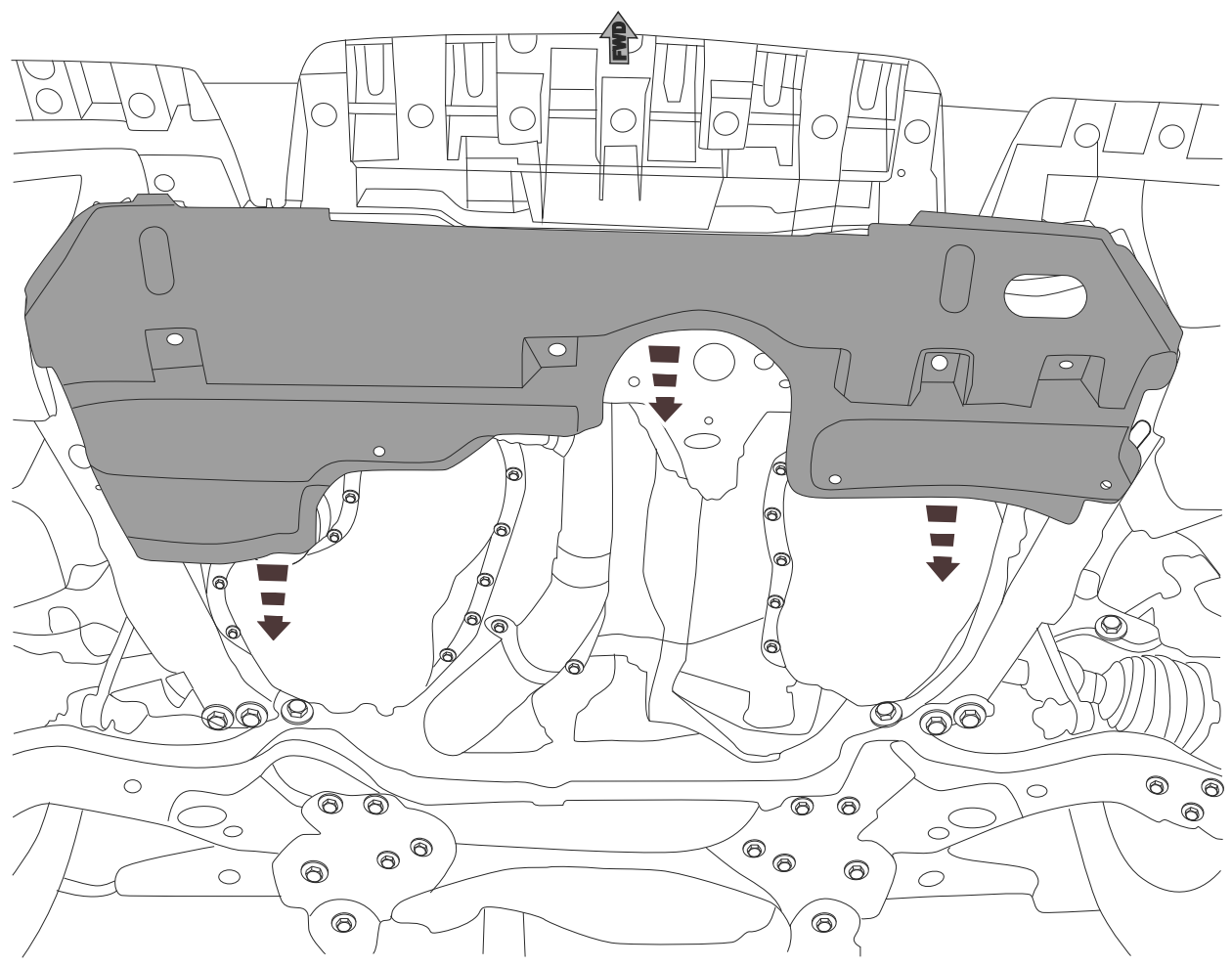
**F**



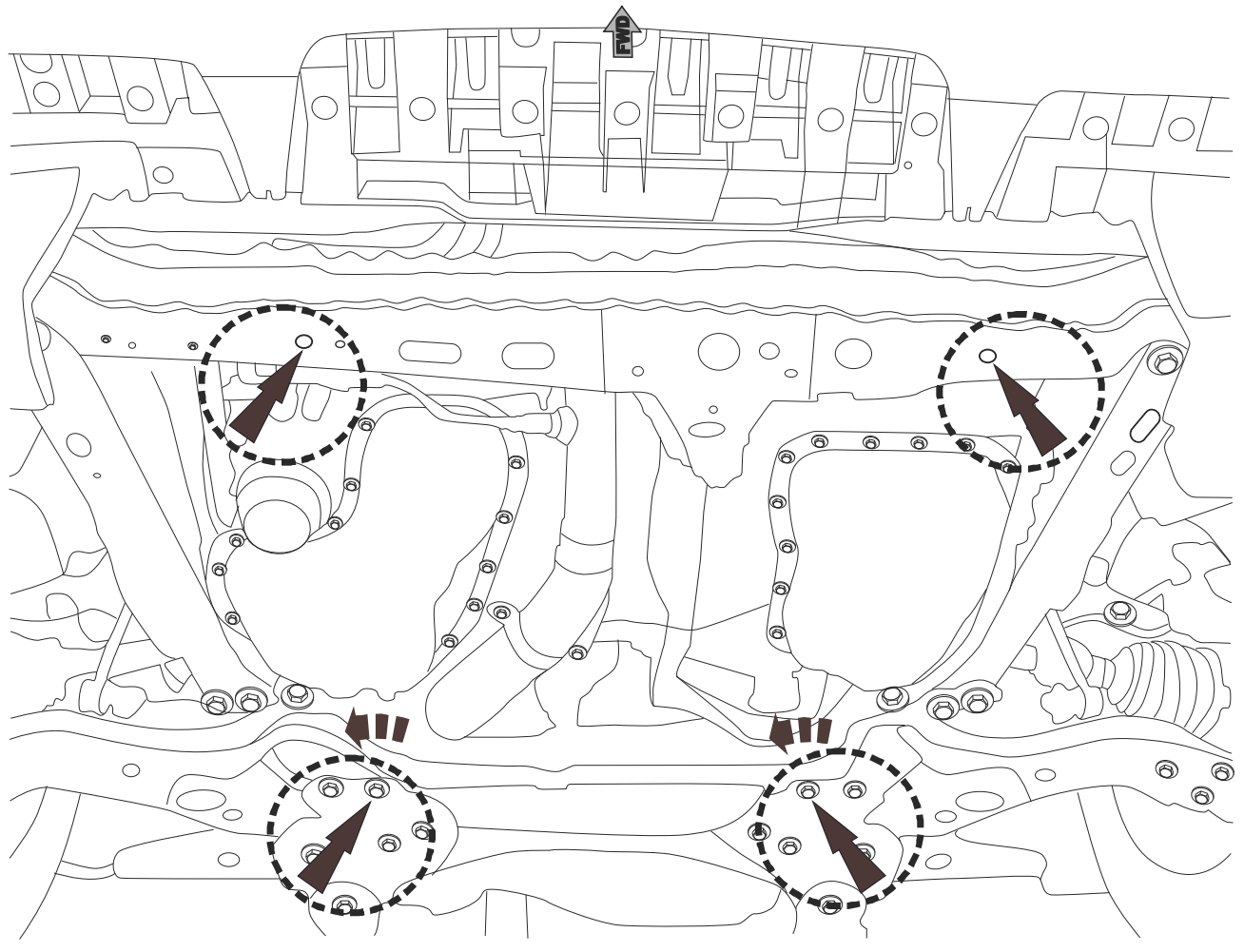
x1



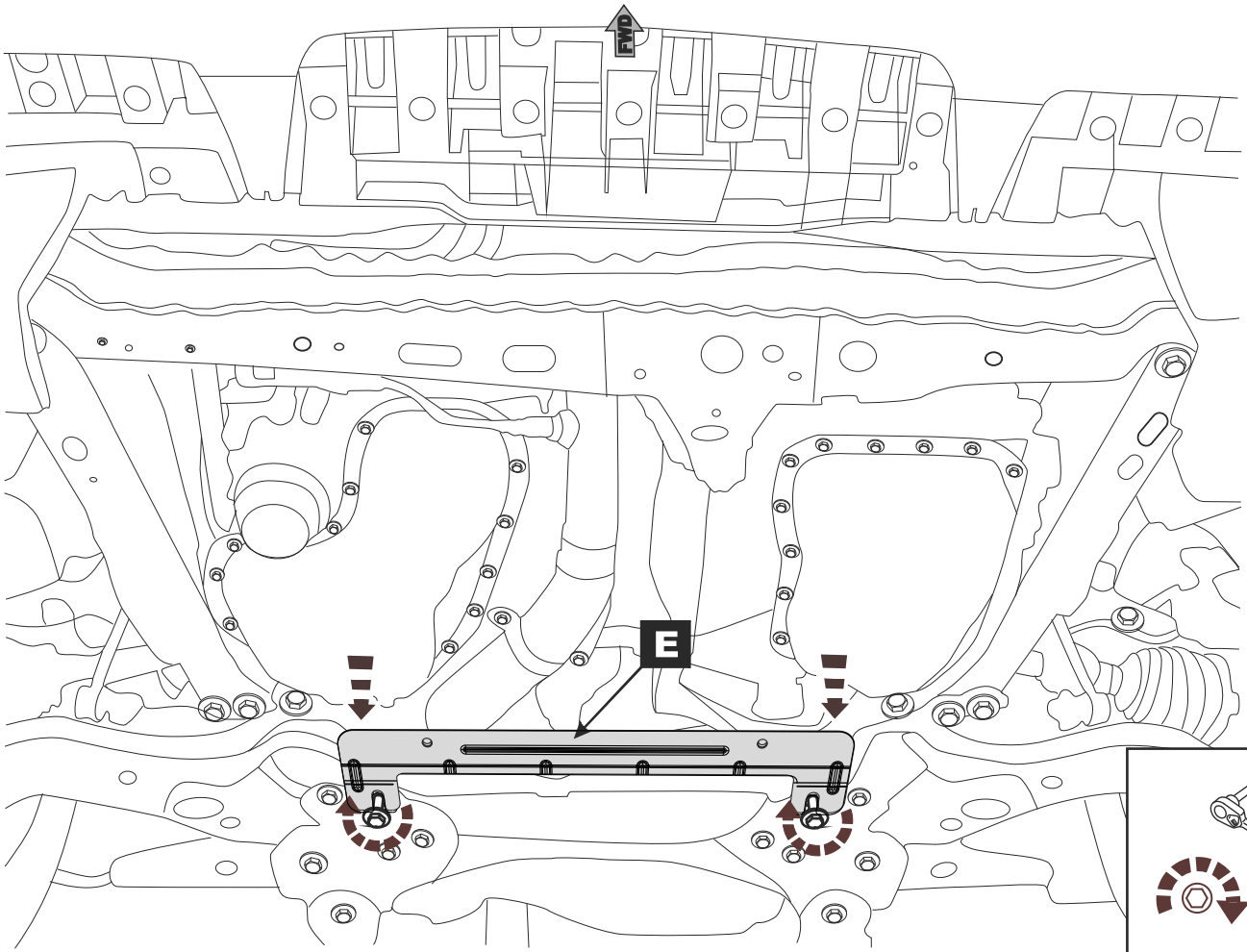
1



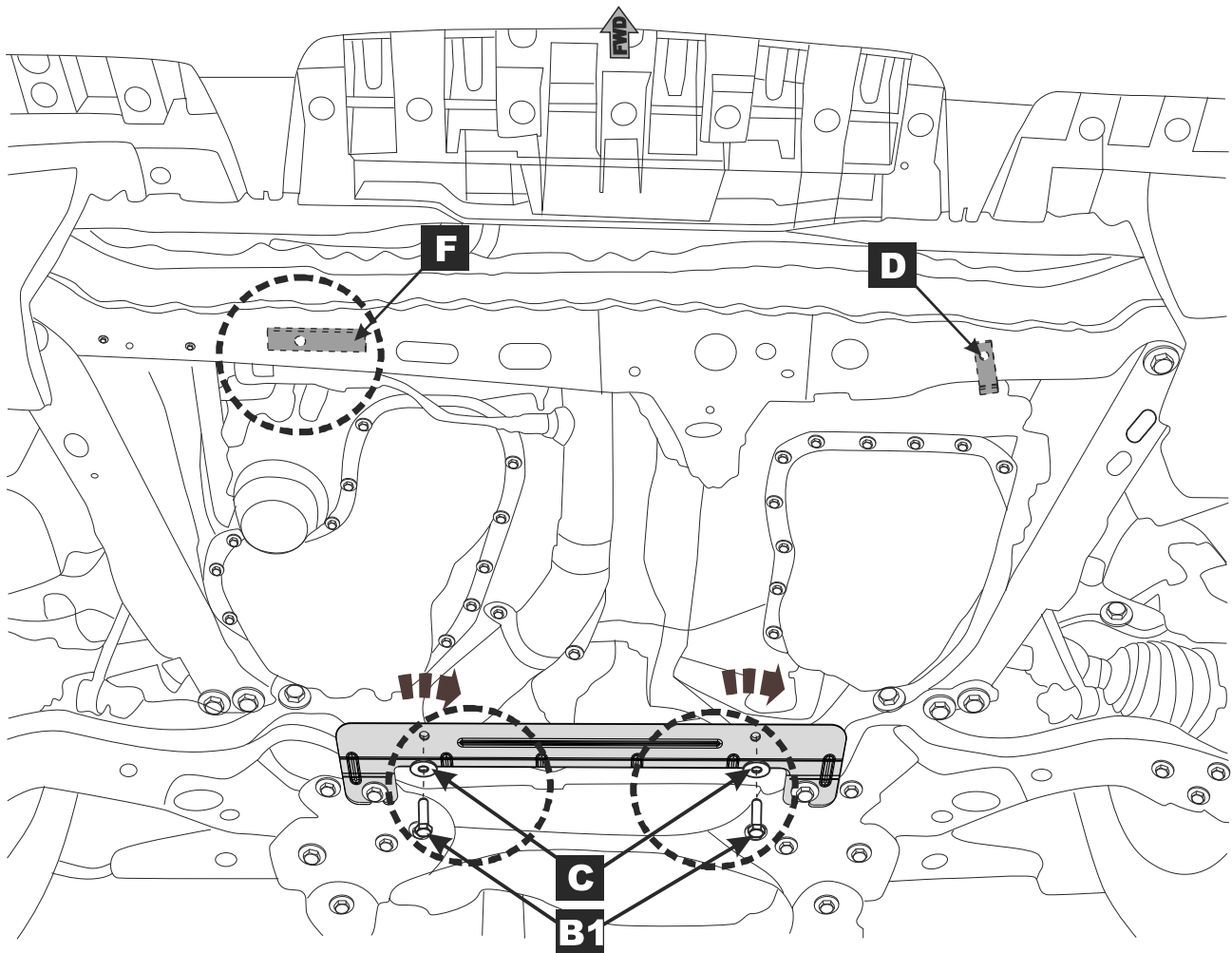
2



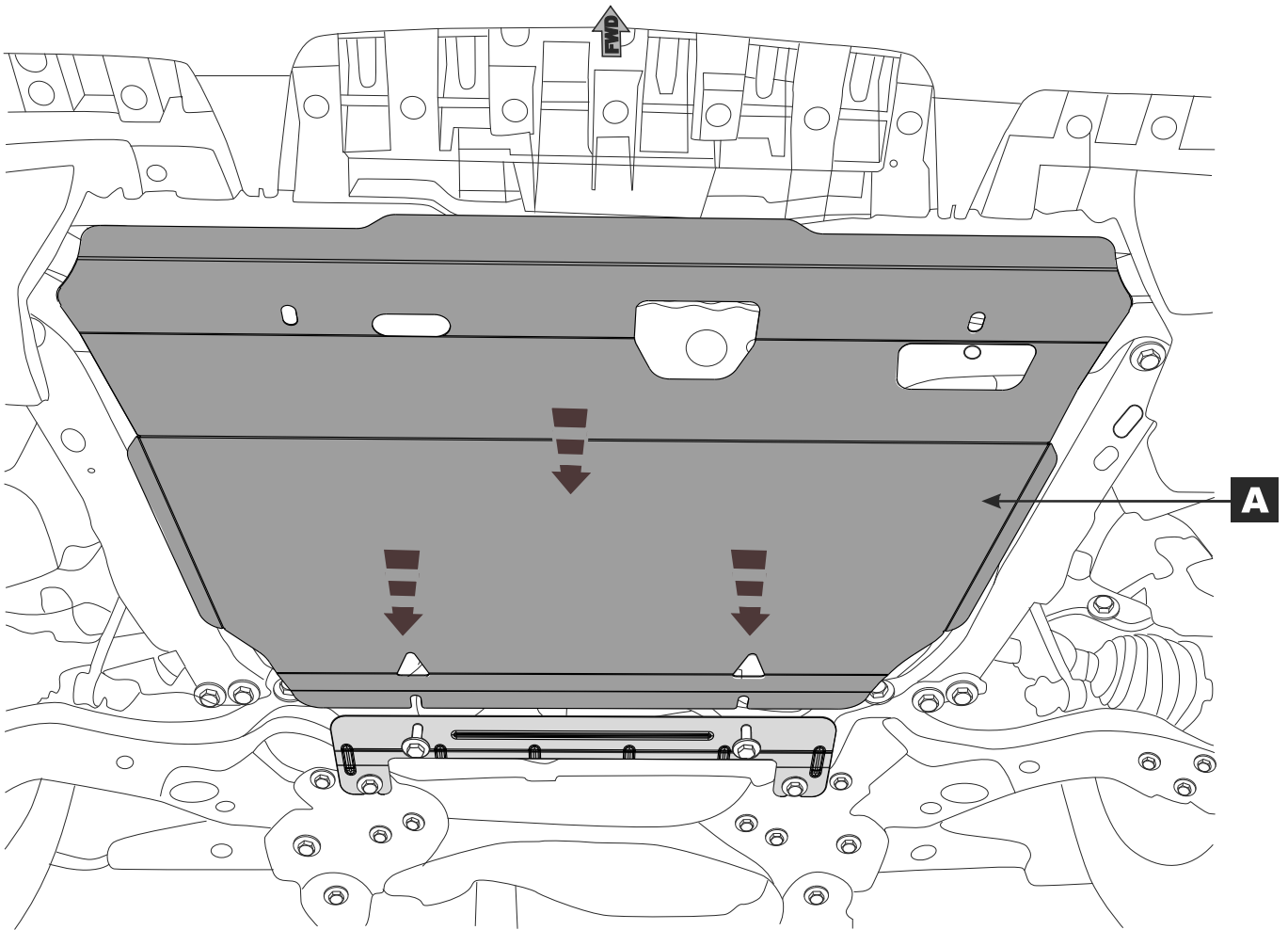
3



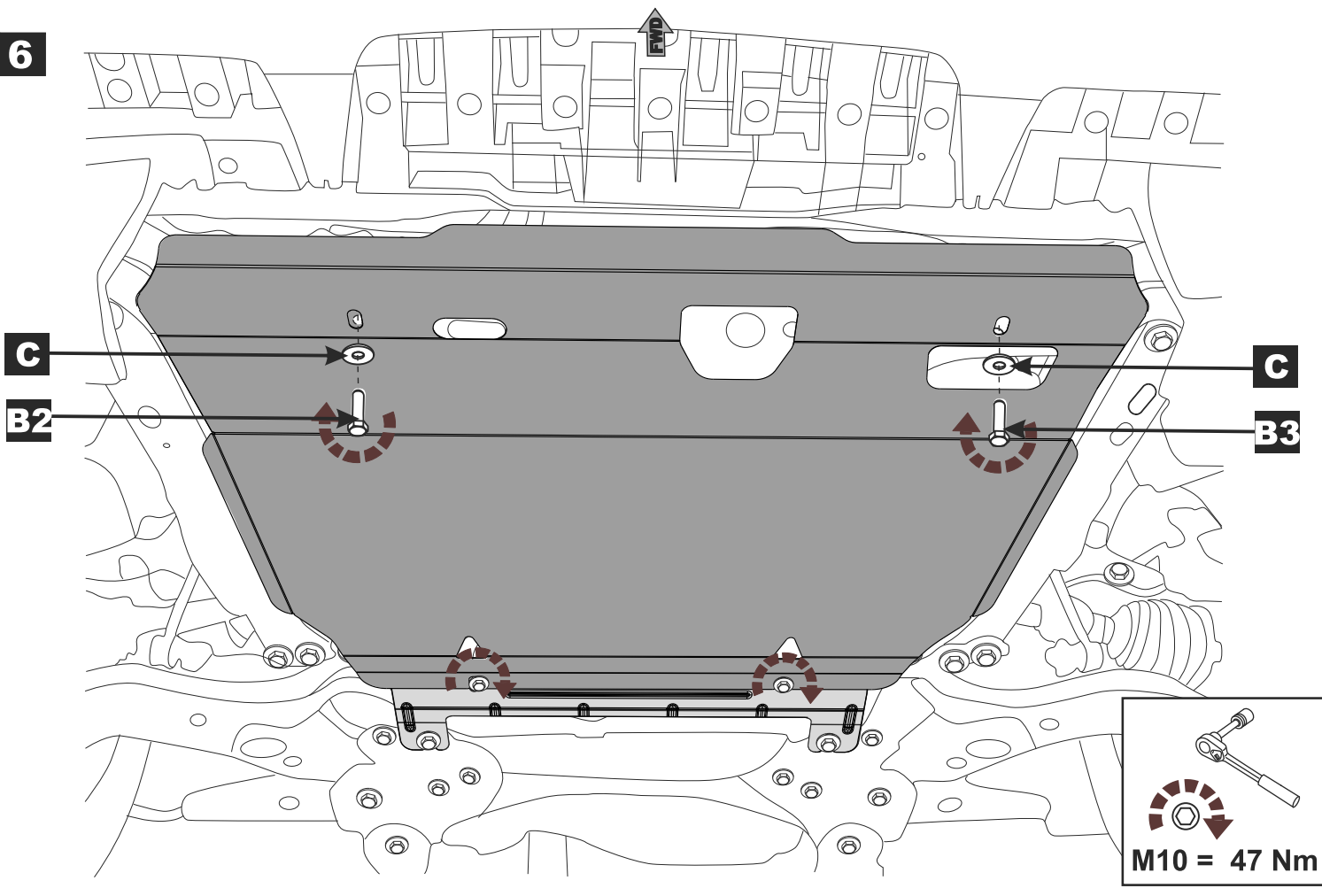
4



5



6



7

